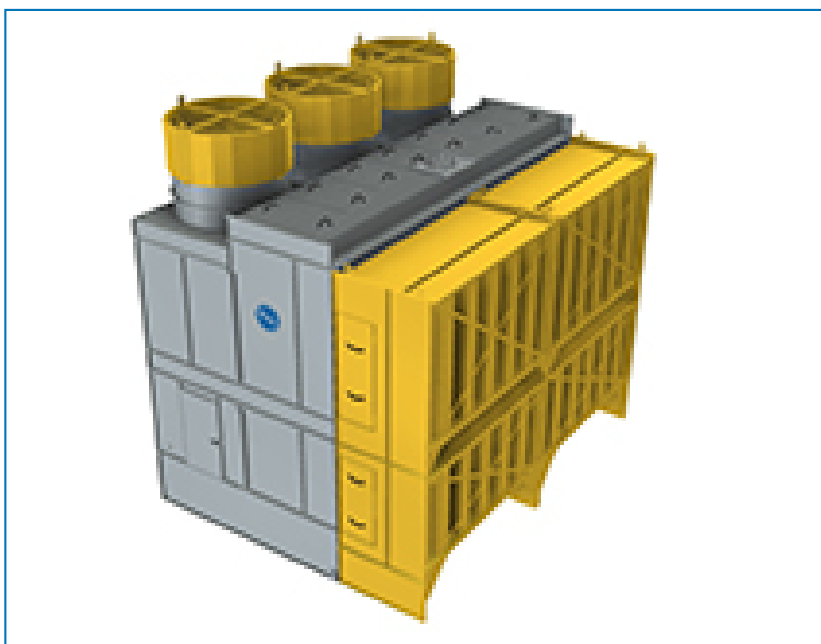


Open cooling towers

Options and accessories

Sound attenuation



S1500E cooling towers use **quiet and low kW axial fans**, but to reduce noise even further, you can extend your S1500E cooling tower with [sound attenuation](#):

- The intake attenuation is constructed out of vertical rectangular baffles
- The discharge attenuator consists of an isolated plenum

or choose the [Whisper Quiet fan](#) alternative.

Your [local BAC representative](#) can explain any of the above sound attenuator options in more detail and provide you with [sound pressure and sound power data](#).