

RCT 2118-1 - 2441-1

Open koeltorens

Technische gegevens

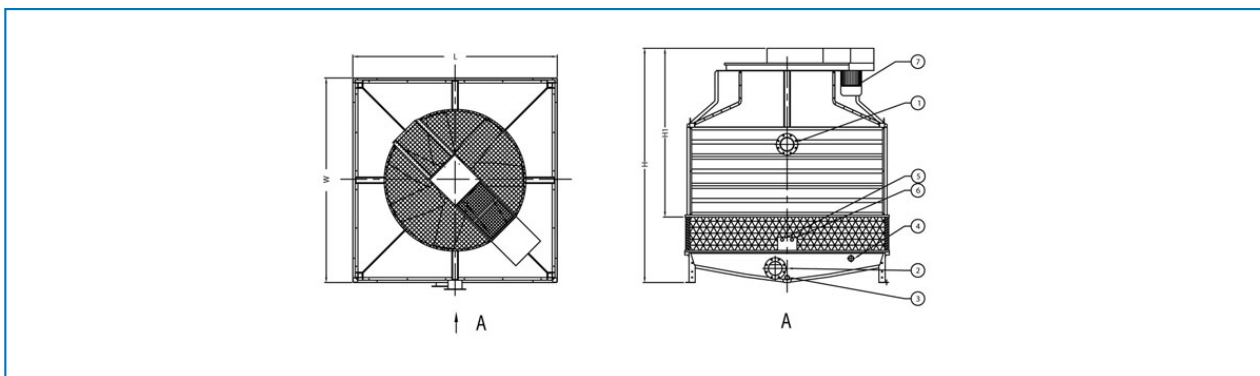
REMARK: Do not use for construction. Refer to factory certified dimensions & weights. This page includes data current at time of publication, which should be reconfirmed at the time of purchase. In the interest of product improvement, specifications, weights and dimensions are subject to change without notice.

General notes

1. Access door is always opposite to inlet connection end.
2. Alternative inlet/outlet and tower configurations are available.
3. Nominal outlet connection size provided.
4. Actual outlet sized to match flow.
5. Models RCT 2218-1 and 2129-1 have direct drive motors.
6. Models RCT 2218-2 and 2129-2 have direct drive motors.
7. Triple fan units are not available with common FRP basin. Only for installation on concrete basin.

Laatst bijgewerkt: 27/07/2024

RCT 2118-1 - 2441-1



1. Waterinlaat; 2. Wateruitlaat; 3. Afvoer; 4. Overloop; 5. Make-up; 6. Snelle vulling; 7. Ventilatormotor.



| Model | Gewicht (kg) | | | Afmetingen (mm) | | | Luchtdebiet (m ³ /s) | Ventilatormotor (kW) | Vloeistofinlaat ND (mm) |
|------------|---------------------|-----------------------|------------------------|-----------------|------|------|---------------------------------|----------------------|-------------------------|
| | Bedrijfgewicht (kg) | Transportgewicht (kg) | Zwaarste gedeelte (kg) | L | W | H | | | |
| RCT 2118-1 | 2675 | 1000 | 1000 | 2284 | 2284 | 3252 | 15.4 | (1x) 5.5 | (1x) 150 |
| RCT 2129-1 | 2675 | 1000 | 1000 | 2284 | 2284 | 3252 | 17.3 | (1x) 7.5 | (1x) 150 |
| RCT 2142-1 | 3375 | 1250 | 1250 | 2589 | 2589 | 3326 | 18.5 | (1x) 5.5 | (1x) 150 |
| RCT 2156-1 | 3375 | 1250 | 1250 | 2589 | 2589 | 3326 | 20.4 | (1x) 7.5 | (1x) 150 |
| RCT 2183-1 | 4125 | 1550 | 1550 | 2894 | 2894 | 3413 | 23.9 | (1x) 7.5 | (1x) 200 |
| RCT 2208-1 | 4125 | 1550 | 1550 | 2894 | 2894 | 3413 | 27.2 | (1x) 11.0 | (1x) 200 |
| RCT 2238-1 | 4850 | 1800 | 1800 | 3198 | 3198 | 3646 | 31.2 | (1x) 11.0 | (1x) 200 |
| RCT 2262-1 | 4850 | 1800 | 1800 | 3198 | 3198 | 3646 | 34.2 | (1x) 15.0 | (1x) 200 |
| RCT 2368-1 | 7300 | 2700 | 2700 | 4787 | 3198 | 4228 | 47.8 | (1x) 18.5 | (1x) 200 |
| RCT 2386-1 | 7300 | 2700 | 2700 | 4787 | 3198 | 4228 | 50.2 | (1x) 22.0 | (1x) 200 |
| RCT 2299-1 | 5700 | 2100 | 2100 | 3499 | 3499 | 3810 | 39.0 | (1x) 15.0 | (1x) 200 |
| RCT 2320-1 | 5700 | 2100 | 2100 | 3499 | 3499 | 3810 | 41.8 | (1x) 18.5 | (1x) 200 |
| RCT 2418-1 | 8500 | 3000 | 3000 | 5247 | 3500 | 4428 | 54.3 | (1x) 18.5 | (1x) 200 |
| RCT 2441-1 | 8500 | 3000 | 3000 | 5247 | 3500 | 4428 | 57.3 | (1x) 22.0 | (1x) 200 |