

XES15E 1012-09 - 1012-10

Open koeltorens

Technische gegevens

REMARK: Do not use for construction. Refer to factory certified dimensions & weights. This page includes data current at time of publication, which should be reconfirmed at the time of purchase. In the interest of product improvements, specifications, weights and dimensions are subject to change without notice.

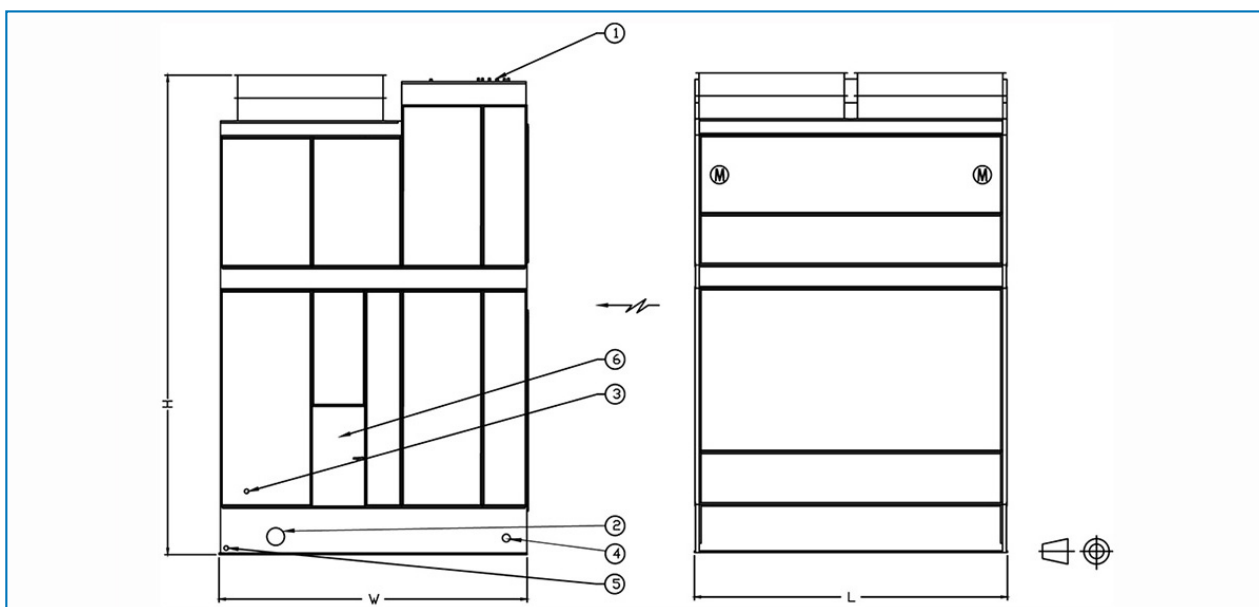
General notes

1. All connections 100 mm and smaller are MPT. Connections 125 mm and larger are beveled-for-welding.
2. Make up, overflow, suction and drain connections can be provided on end opposite to that shown; consult your BAC representative.
3. Models 1012-09 thru 1012-10, 1018-09 thru 1018-10, 1212-09 thru 1212-12 and 1218-09 thru 1218-12 are shipped in two sections per cell. The top section heights are for model 1012-09 thru 1012-10 and 1212-09 thru 1212-12, 2501 mm. For models 1018-09 thru 1018-10 and 1218-09 thru 1218-12, 2562 mm.

[S1500E cooling tower performance at standard conditions](#)

Laatst bijgewerkt: 27/07/2024

XES15E 1012-09 - 1012-10



1. Water in; 2. Water uit; 3. Make-up; 4. Overloop ND80; 5. Afvoer ND50; 6. Toegangsdeur.



Model	Gewicht (kg)			Afmetingen (mm)			Luchtdebi et (m ³ /s)	Ventilator motor (kW)	Vloeistofi nlaat ND (mm)	Vloeistof itlaat ND (mm)	Suppletie ND (mm)
	Bedrijfsge wicht (kg)	Transport gewicht (kg)	Zwaarste gedeelte (kg)	L	W	H					
XES15 E 1012- 09EE	6536	3098	1814	3651	2997	4358	19.0	(2x) 1.1	(1x) 250	(1x) 250	(1x) 40
XES15 E 1012- 09FE	6554	3116	1833	3651	2997	4358	20.0	(2x) 1.5	(1x) 250	(1x) 250	(1x) 40
XES15 E 1012- 09GE	6582	3143	1860	3651	2997	4358	23.0	(2x) 2.2	(1x) 250	(1x) 250	(1x) 40
XES15 E 1012- 09HE	6591	3152	1869	3651	2997	4358	28.0	(2x) 4.0	(1x) 250	(1x) 250	(1x) 40
XES15 E 1012- 10EE	6813	3248	1814	3651	2997	4765	19.0	(2x) 1.1	(1x) 250	(1x) 250	(1x) 40
XES15 E 1012- 10FE	6831	3266	1833	3651	2997	4765	21.0	(2x) 1.5	(1x) 250	(1x) 250	(1x) 40
XES15 E 1012- 10GE	6858	3293	1860	3651	2997	4765	24.0	(2x) 2.2	(1x) 250	(1x) 250	(1x) 40
XES15 E 1012- 10HE	6867	3302	1869	3651	2997	4765	29.0	(2x) 4.0	(1x) 250	(1x) 250	(1x) 40